

A square coned umbrella with an offset tubular steel column

## Aintree



- Wide range of fabric colours available
- Accessories include lighting & IR heating
- Warranted for ten years under tension
- ArcCan installation teams operate Worldwide

A permanent square coned tensile fabric umbrella with an offset column, providing clear-span waterproof and shade coverage for a variety of uses whether in a school playground as a covered performance space or in a restaurant or bar for alfresco dining, the Aintree represents an excellent investment with a long life and low maintenance. This is a fully engineered all-weather structure that is both practical and good to look at.

# Specifications

## Aintree

A square coned umbrella with an offset tubular steel column



### Framework

Heavyweight grade tubular steel column with cantilevered beam supporting radiating CHS spars and struts, all zinc and powder coated to RAL colour of choice, fixings either A2/A4 stainless or galvanised steel.

### Fabric

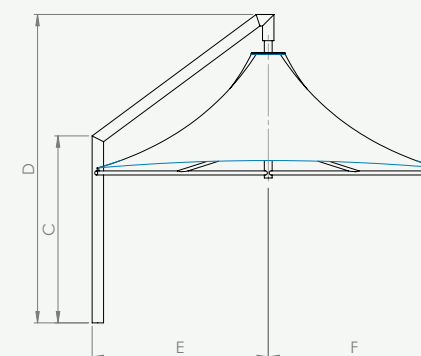
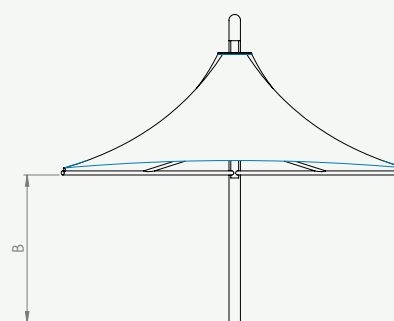
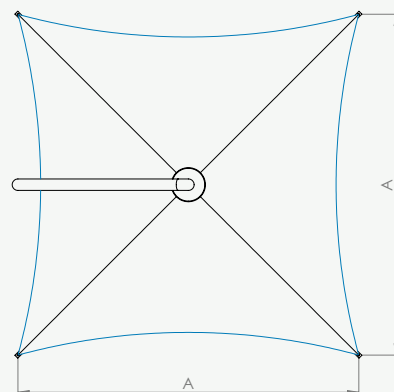
Architectural PVC coated polyester fabric, patterned and welded to form a shaped cone with H/D boundary webbing tensioned with a central S/S threaded push-up.

### Foundations

We provide loading figures for your engineer to design foundations to suit local ground conditions. Typical details available on request.

### Files

3D CAD models are available on request.



CODE	AIN30	AIN40	AIN50	AIN60
A	3	4	5	6
B	2.2	2.2	2.2	2.2
C	2.8	2.8	2.8	2.8
D	3.6	4.1	4.4	4.7
E	1.6	2.1	2.6	3.1
F	1.5	2	2.5	3

All measurements in metres and are approximate.