

A cantilevered hypar canopy tensioned underneath curved spars

## Kite



- Wide range of fabric colours available
- Fully adaptable including custom designs
- Warranted for ten years under tension
- ArcCan installation teams operate Worldwide

The Kite is a cantilevered hypar shade structure available in four sizes that can be installed onto a single concrete foundation. The claw style with a single offset column minimises the room taken up by the supporting structure and provides a useful clear span space. The tensile fabric membrane is manufactured from semi-translucent lacquered PVC coated polyester providing a light comfortable space that is safe from harmful UV rays. The Kite is also available with a knitted shade cloth option.

# Specifications

## Kite

### A cantilevered hypar canopy tensioned underneath curved spars



#### Framework

Heavyweight grade tubular steel column with curved spars, zinc and powder coated to RAL colour of choice or S316 grained stainless steel, all fixings either A2/A4 stainless or galvanised steel.

#### Fabric

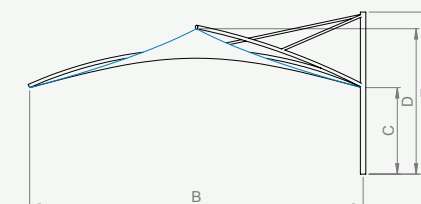
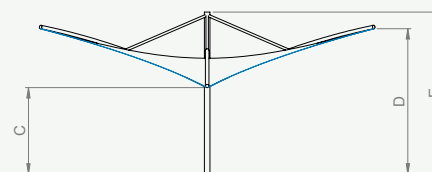
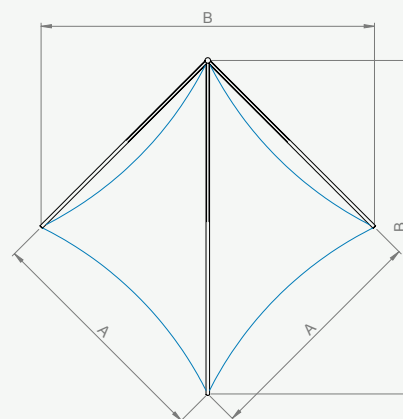
Architectural PVC coated polyester fabric or knitted shade cloth, patterned into a saddle 'hypar' shape with heavy duty boundary webbing tensioned with marine grade rigging screws.

#### Foundations

We provide loading figures for your engineer to design foundations to suit local ground conditions. Typical details available on request.

#### Files

3D CAD models are available on request.



CODE	KIT35	KIT40	KIT50	KIT60
A	3.5	4	5	6
B	4.9	5.7	7.1	8.5
C	2.2	2.2	2.2	2.2
D	3.1	3.2	3.4	3.7
E	3.4	3.5	3.8	4.1

All measurements in metres and are approximate.